

## How to measure for Roller Blind (Outside Mount)

### Tools needed



1.



2.



3.

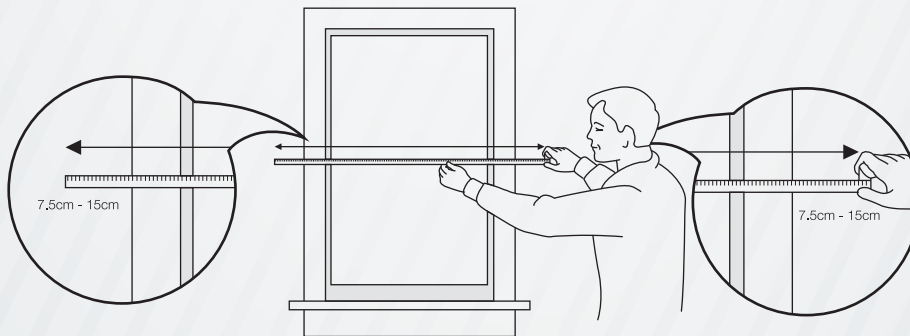
1. Measuring tape (metal)
2. Pencil and notepad
3. Step ladder

### Measurement for Outside Mount

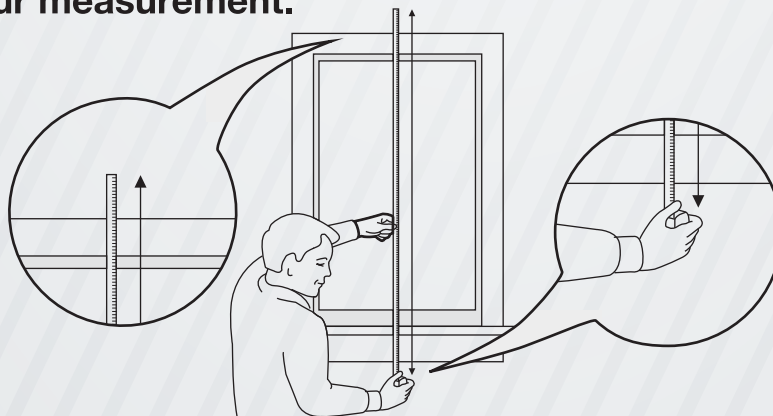
(Use metal shape measure for accurate measurement)

**Step 1: Take the middle width of the window.**

**Step 2: Add 7.5cm - 15cm for each side to reduce light penetration.**



**Step 3: Take the height by measuring the middle of the window. The height will depend on your measurement.**



## Roller Blinds

### Things to consider

#### Adding Valance (Optional)

- Cornice and valance measurements will be 1.5 cm longer than the blinds.
- Always leave a minimum of 15cm gap from ceiling.

