

25-35-50 mm Wooden Blinds

How to measure for Wooden Blinds (Outside Mount)

Tools needed



1.



2.



3.

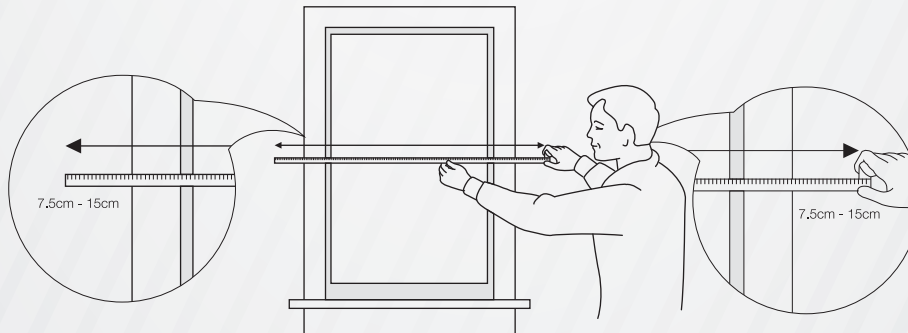
1. Measuring tape (metal)
2. Pencil and notepad
3. Step ladder

Measurement for Outside Mount

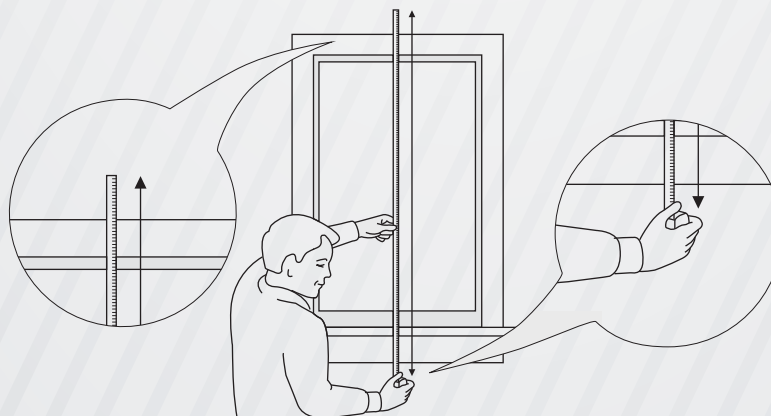
(Use metal shape measure for accurate measurement)

Step 1: Take the middle width of the window.

Step 2: Add 7.5cm - 15cm for each side to reduce light penetration.



Step 3: Take the height by measuring the middle of the window. The height will depend on your measurement.



25-35-50 mm Wooden Blinds

Things to consider

Adding Valance (Optional)

- Cornice and valance measurements will be 1.5 cm longer than the blinds.
- Always leave a minimum of 15cm gap from ceiling.

