

How to measure for Zebra Blinds

Tools needed



1.



2.



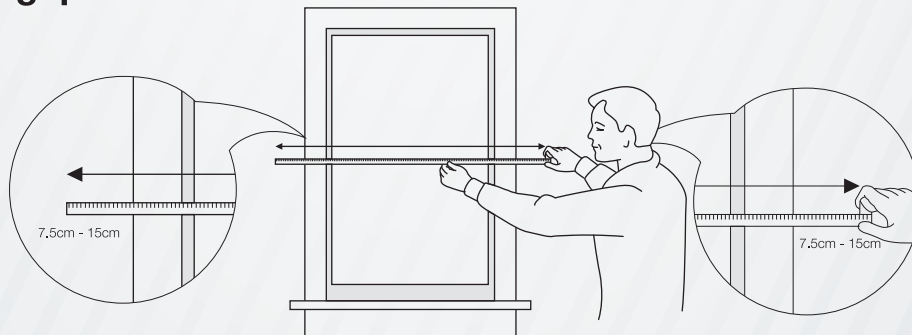
3.

1. Measuring tape (metal)
2. Pencil and notepad
3. Step ladder

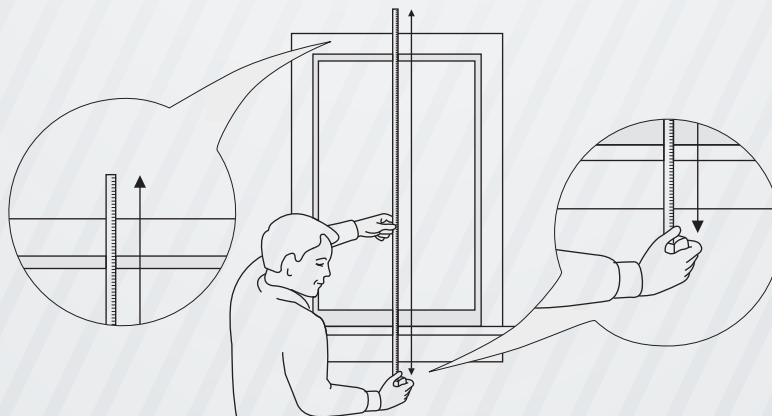
Measurement for Outside Mount

(Use metal shape measure for accurate measurement)

Step 1: Take the top width of the window and add 7.5cm - 15cm for each side for minmum light gaps.



Step 2: Take the height by measuring the middle of the window.



Zebra Blinds

Things to consider

Adding Valance (Optional)

- Cornice and valance measurements will be 1.5cm longer than the width of the blind.
- Always leave a minimum of 15cm gap from ceiling.

